

UCAN FASTENING PRODUCTS

SCRU-TOOL SCRUI-IT® INSTALLATION KIT

Part Description

Complete SCRUI-IT Installation Kit

- A. 1/4" Magnetic Hex Driver
- 5/16" Magnetic Hex Driver
- B. #2 Phillips Bit
- #3 Phillips Bit
- C. Phillips Driver Adapter
- D. 1/4-28 Socket Set Screw
- E. Drive Sleeve Assembly
- F. 5/32" Ball Bearing
- G. Detent Screws
- H. 1/8" Ball Bearing

Cat No.

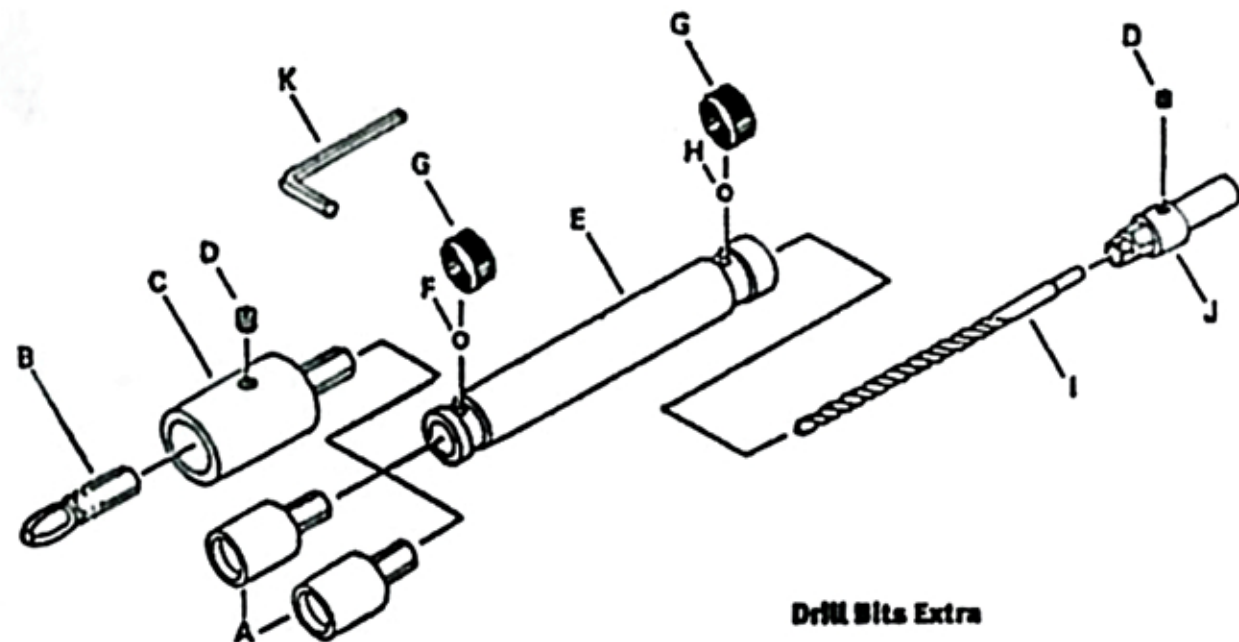
SCRUI-IT
CDP1006
CDP1007
PB21
PB31
CDP1010
CDP2006
CDP1502
CDP1004
CDP1003
CDP1008

Part Description

- I. Carbide Drill Bit
- 5/32" x 3-1/2"
- 5/32" x 4-1/2"
- 5/32" x 5-1/2"
- 3/16" x 3-1/2"
- 3/16" x 4-1/2"
- 3/16" x 5-1/2"
- 3/16" x 6-1/2"
- J. Drill Adaptor
- K. 1/8" Hex Key
- L. Extra Long Sleeve (6-7/8")
(Not Shown)

Cat No.

SCB5323
SCB5324
SCB5325
SCB3163
SCB3164
SCB3165
SCB3166
CDP1001
CDP2010
CDP1005



Drill Bits Extra