

LV470 PARTS KIT BREAKDOWN

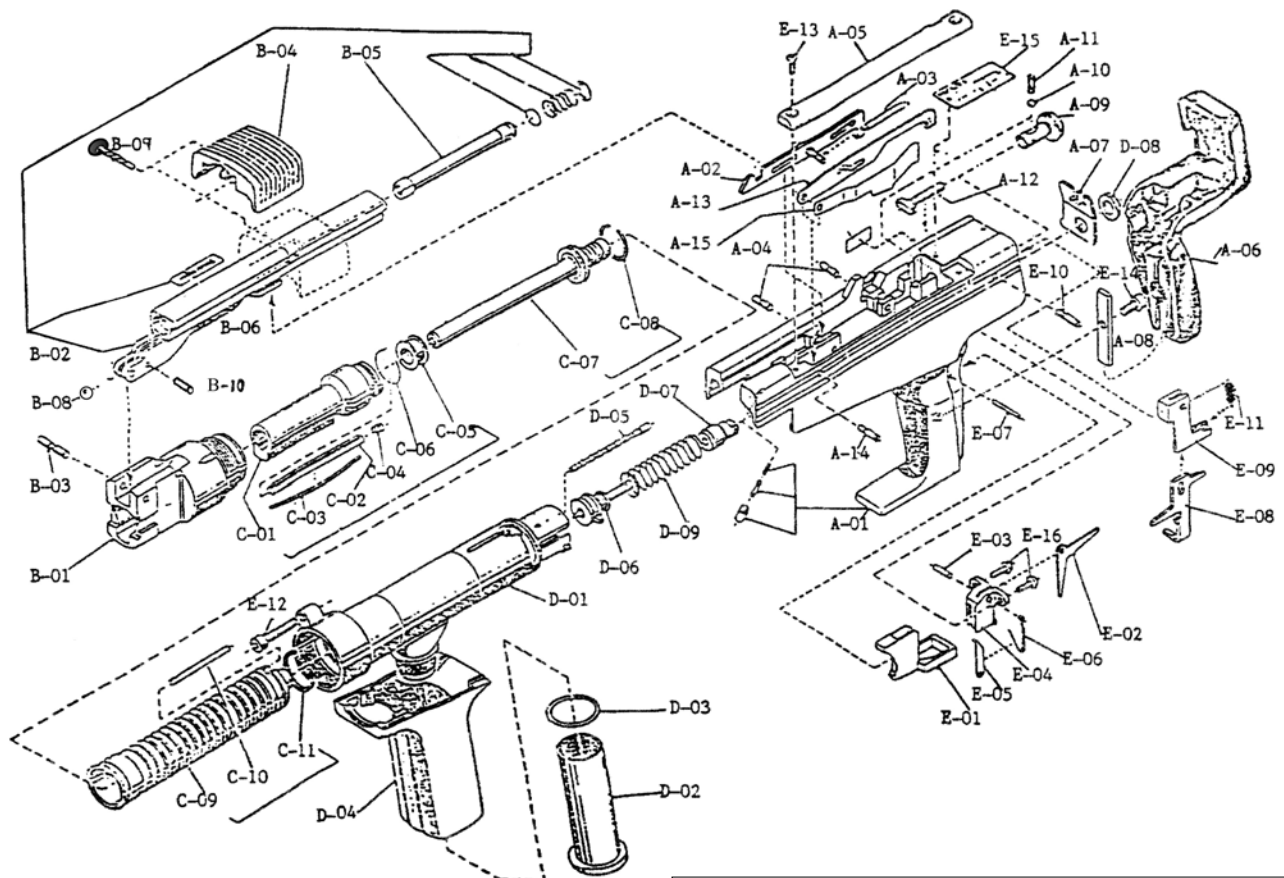
Part No.	Description
A-01	Body
A-02	Connector, Advance Bar
A-03	Spring, Connector
A-04	Pin, Connector
A-05	Cover, Plastic Strip
A-06	Rubber Pad
A-07	Fixing Plate, Rubber Pad
A-08	Metal Strip
A-09	Wheel, Power Regulator
A-10	Steel Ball
A-11	Compressing Spring
A-12	Indicator, Power Regulator
A-13	Advance Bar
A-14	Screw, Advance bar
A-15	Spring Plate

Part No.	Description
C-01	Fastener Guide
C-02	Pressure Strip
C-03	Spring, Pressure Strip
C-04	Fixing Block
C-05	Stop Ring
C-06	Retaining Ring, Fastener Guide
C-07	Piston Assembly for PC
C-07A	Piston Assembly for UTS Studs(not shown)
C-08	Piston Ring
C-09	Piston Guide
C-10	Pressing Pin
C-11	Retaining Ring, Piston Guide

Part No.	Description
E-01	Trigger
E-02	Release Lever
E-03	Pin, Holder
E-04	Holder
E-05	Magazine Detent
E-06	Trigger Spring
E-07	trigger Pin
E-08	Sear
E-09	Sear Guide
E-10	Screw, Sear Guide
E-11	Sear Spring
E-12	Screw, Housing
E-13	Screw, Plastic Strip Cover
E-14	Screw, Rubber Pad
E-15	Label
E-16	Screw, Holder

Part No.	Description
B-01	Baseplate
B-02	Cocking Lever
B-03	Pin, Baseplate
B-04	Grip, Cocking Lever
B-05	Push Rod, Cocking Lever
B-06	Link
B-08	Rubber Ring
B-09	Set screw, Grip
B-10	Pin, Link

Part No.	Description
D-01	Housing
D-02	Muffler
D-03	O-Ring
D-04	Muffler Housing
D-05	Regulating Pin
D-06	Firing Pin
D-07	Guide Screw, Firing Pin
D-08	Nut
D-09	Firing Pin Spring



**Above parts are designed for the Ucan LV470 only.
Use of Ucan parts in any other tool is not recommended.**